

- Ultra Slim (0.24" W x 3.54" H x 3.64" D)
- 6A Switching Capacity
- SPDT
- Life Greater than 5,000,000 Operations
- LED Status Indication
- DIN Rail Mounting
- Screw Terminals



The ConnectPak™ family consists of DIN rail mount pluggable relays with 4000 volt isolation between input and output. These units provide a highly reliable and yet replaceable relay contact and their extremely small size make them suitable for mounting in the smallest of spaces. All units have the same high level of operating and performance specifications. Signal interface made easy from ioSelect.

Part Number	IOS-CP-822
Input Voltage	19.2 to 26.4 AC/DC
Input Current	21mA
Switch Off Volts	2.4V AC/DC
Insulation Volts	50V AC/DC
Max Cable Len.	DC: 2KM, AC: 100M

Part Number	IOS-CP-826
Input Voltage	92 to 126.5 AC/DC
Input Current	5mA
Switch Off Volts	11V AC/DC
Insulation Volts	150V AC/DC
Max Cable Len.	DC: 500M, AC: 70M

Part Number	IOS-CP-827
Input Voltage	184 to 253 AC/DC
Input Current	5mA
Switch Off Volts	23V AC/DC
Insulation Volts	250V AC/DC
Max Cable Len.	DC: 500M, AC: 40M

Common Electrical Specifications

Nominal Freq.	50/60 Hz
Status Indication	Yellow LED
Protection Device	Bridge Rectifier
Contact Type	SPDT
Number of Contacts	1
Switching Volt (Max/Min)	250 / 17V AC/DC
Switching Cur (Max/Min)	6 / 0.005 A
Switching Capacity	Max 1500 VA AC/DC

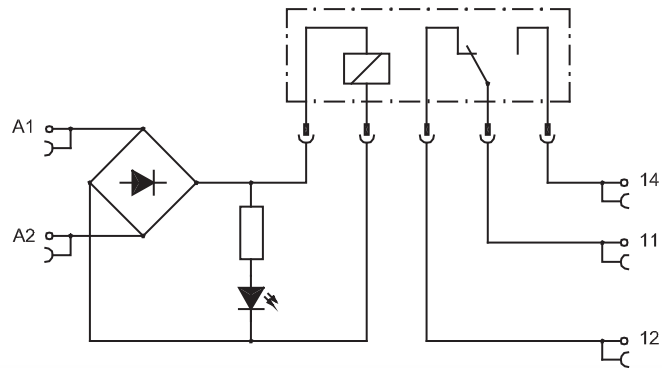
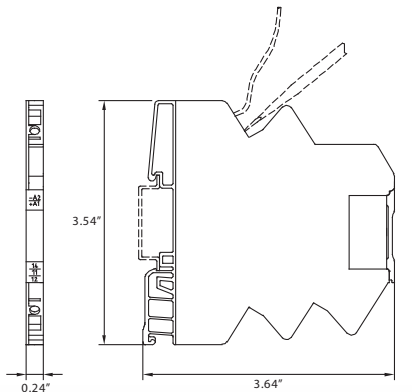
Switching Current Table

	AC-15	DC-13
24V	3A	1A
115V	3A	0.2A
230V	3A	0.1A

Switch On / Off Delay	5 msec / 4 msec
Contact Material	AgSnO2
Mechanical Life	> 5,000,000 operations

General Specifications

Isolation (Input to Load)	4 KV _{eff}
Creepage (Input to Load)	> 5.5 mm
Connection Terminals	Screw (max 2.5 mm ² fine strand)
Environmental Rating	IP20
Storage Temperature	-40 to 80°C
Operating Temperature	-25 to 60°C
Dimensions (W x H x D)	0.24" x 3.54" x 3.64" (6.2 x 90 x 92.5 mm)
Weight	1.23oz (35g)



Ordering Information:
IOS-CP-822
IOS-CP-826
IOS-CP-827

ConnectPak Pluggable Relay 24V AC/DC Input, 250 V AC/DC Load
 ConnectPak Pluggable Relay 115V AC/DC Input, 250 V AC/DC Load
 ConnectPak Pluggable Relay 230V AC/DC Input, 250 V AC/DC Load