

- Basic GSM/GPRS Monitoring and Control (Antenna included)
- Analog & Discrete Sensor Reporting (Time and Event Based)
- Messages Sent and Local Relay Control via User Defined Logic
- SMS (GSM) and E-mail Capable with GPRS
- Browser Configuration (RS-232 cable included)
- Status LEDs
- 12 VDC Power
- DIN Rail Mount (TS 35)



Monitor and control remote equipment with the ioSelect AIRIO-MCU-02. The AIRIO-MCU-02 is a micro RTU with GSM and GPRS capability which takes advantage of the ever growing GSM wireless network. The AIRIO-MCU-02 has 2 configurable analog input channels, 4 digital input channels and 4 relay output channels. The analog input channels are configurable for industry standard current and voltage levels (0(4)-20 mA, 0-10 Vdc). The digital input channels accept up to 24 Vdc (> 3 V = true). The output relays can connect voltages to 7 A @250 Vac. Configure alarm conditions and have the MCU-02 respond: locally - via the relays; globally - by sending an SMS or E-mail message when those conditions are present. The messages sent are programmed by the user prior to installation. The trigger to send the message can be based on an analog level alone or a combination of analog and digital conditions using Boolean logic. No analog levels are sent unless they have been included as text in the configured message. The relay outputs may also be controlled by SMS messaging further extending the realm of possible applications (see the manual for more detail). The AIRIO-MCU-02 is an advanced, effective and economical solution that fulfills remote monitoring and control application needs.

Global wireless monitoring and control made easy from ioSelect.

Communication Specifications

GSM	GPRS Class 10
	16-24 Kbps upload
	32-48 Kbps download
	SMS - Text Mode
	Quad Band GSM wireless modem (850/900/1800/1900 MHz)
RS-232	RJ-45 Connector
Alarm Message Service	SMS, E-mail (GPRS)
Protocol	HTTP, SMTP
Antenna	MMCX Connector ¼ wave, rubber whip antenna Magnetic base 10' cable included

SIM Card is not included

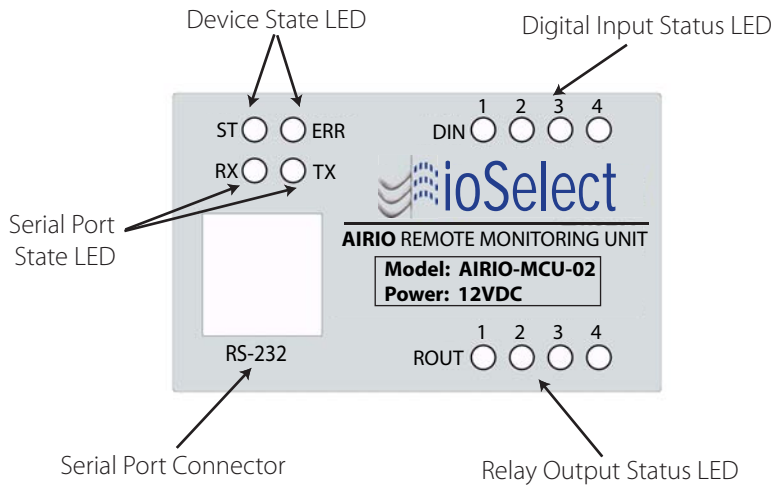
Performance Specifications

Inputs	4 - Digital Inputs: 0-3 V = False (0) 3-26 V = True (1)
	2 - Analog (0-10 Vdc or 0(4)-20 mA)
Impedance	60 KΩ (voltage), 480 Ω (current)
Outputs	4 - Relay (~250 Vac, 7A; 24 Vdc, 10 A)
Humidity:	5-95% @ 40 °C
Operating Temperature:	-20 to +55 °C (-30 to 131 °F)
Storage Temperature:	-40 to 80 °C (-40 to 176 °F)
Power Requirements:	12 Vdc ±10%, 200 mA
Dimensions:	71.5 x 90 x 57.6 mm (2.81 x 3.54 x 2.27 in)
Weight:	164 g (5.75 oz)

Ordering Information: AIRIO-MCU-02

GSM/GPRS Monitor & Controller

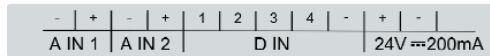
Front Panel



- ST - Device Power and Status LED
 - LED blink slow (0.2s ON, 0.6s OFF) - registered in GSM network
 - LED blink fast (0.4s ON/OFF) - device transmitting via GSM network
- ERR - Faulty working condition
- RX - Receiving via serial port
- TX - Transmitting via serial port
- D IN - Digital input status, ON is "true"
- R OUT - Output relay status
- RS232 - RJ45 connector

Pin Connections

Top Label - Inputs and Power



Bottom Label - Relay Outputs



RS232 Pin Connections

RJ45 Pin #	Description
1	DSR (output)
2	DCD (output)
3	DTR (input)
4	GND
5	RXD (input)
6	TXD (output)
7	CTS (output)
8	RTS (input)

Dimensions

